

# VISION SWING HANDLE FOR PADLOCK



Vision swing handle equipped with pad-lock loop. This swing handle is for cam and round rod systems.



## MATERIAL

- Bolt:** Steel, zinc plated
- Dish:** Glass fibre reinforced polyamide (PA6GF30)
- Handle:** Glass fibre reinforced polyamide (PA6GF30)
- Nut:** Brass, zinc plated
- Padlock loop:** Steel, zinc plated
- Screw:** Steel, zinc plated
- Shaft:** Brass, zinc plated
- Washer:** Steel, zinc plated

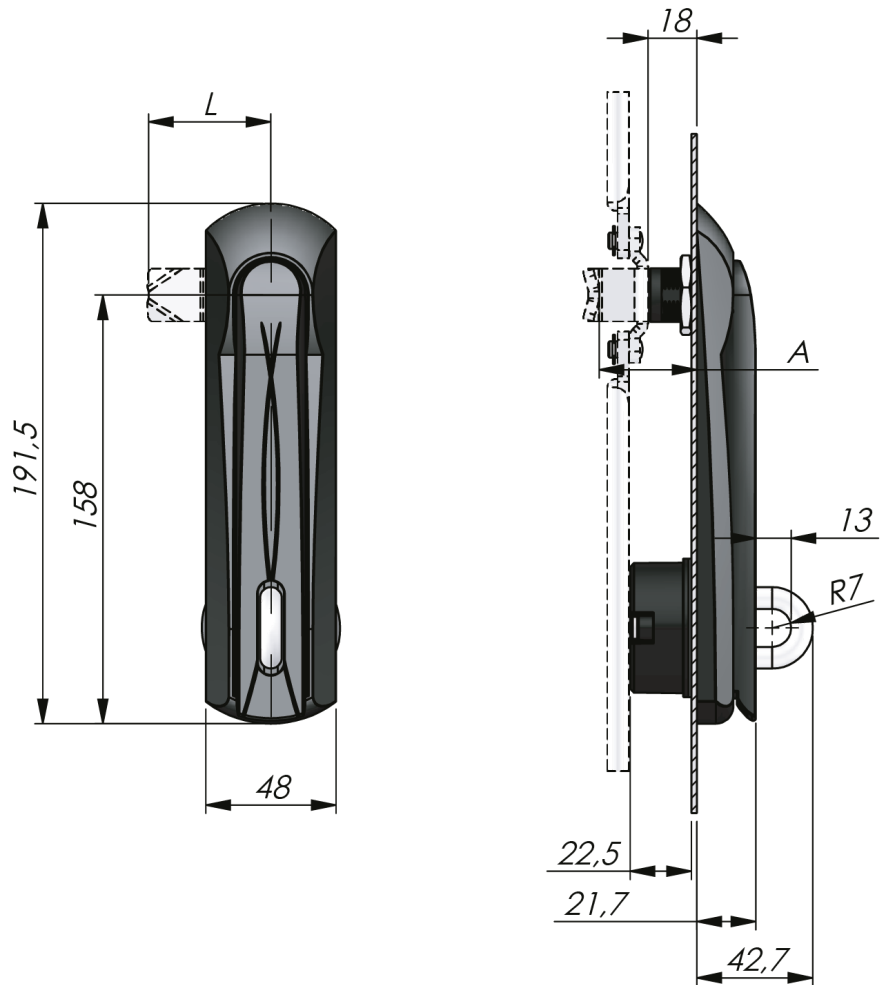
## RELATED PRODUCTS

- Cams:** 1-008.50, 2-481
  - Rods:** 2-540, 2-541, 2-545
  - Rod guides:** 2-560, 2-570
  - Rod adapters:** 2-541
- Use the Index Code at [industrilas.com](http://industrilas.com)

## TECHNICAL INFORMATION

A and L on the drawing refer to measurements on cams (Product ID 1-008.50).

**Standards:** IP65



P/N	Description
275008	Swing handle for padlock

